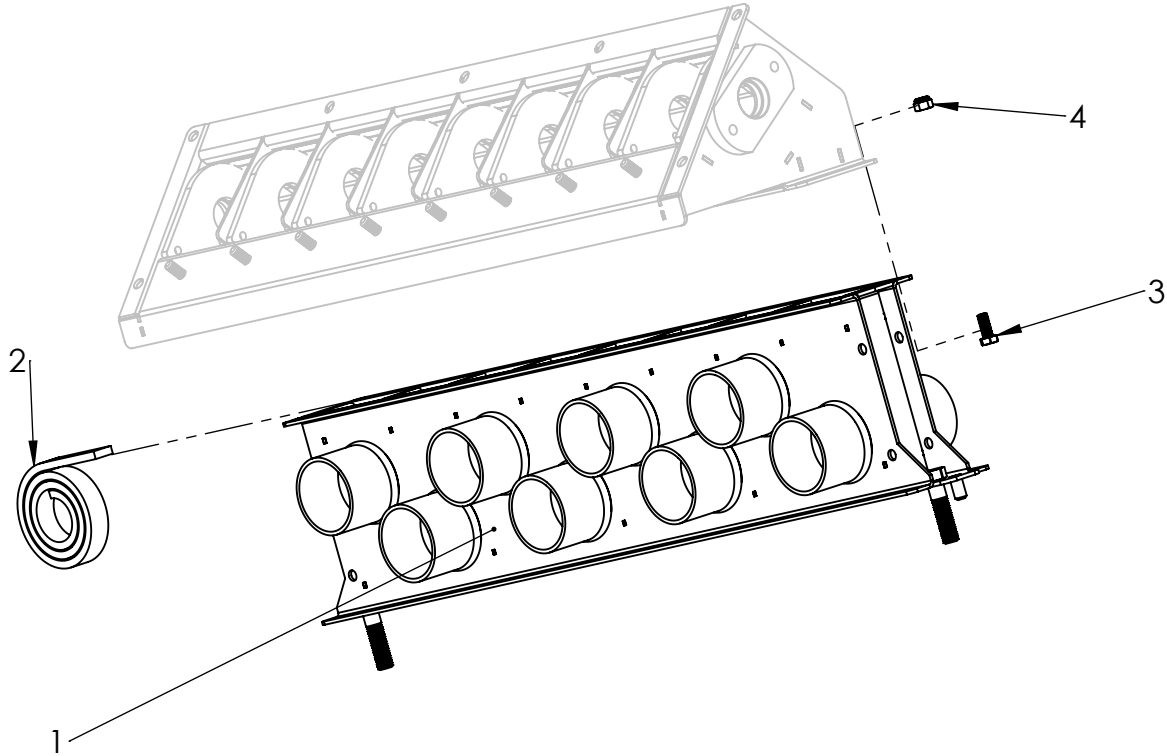


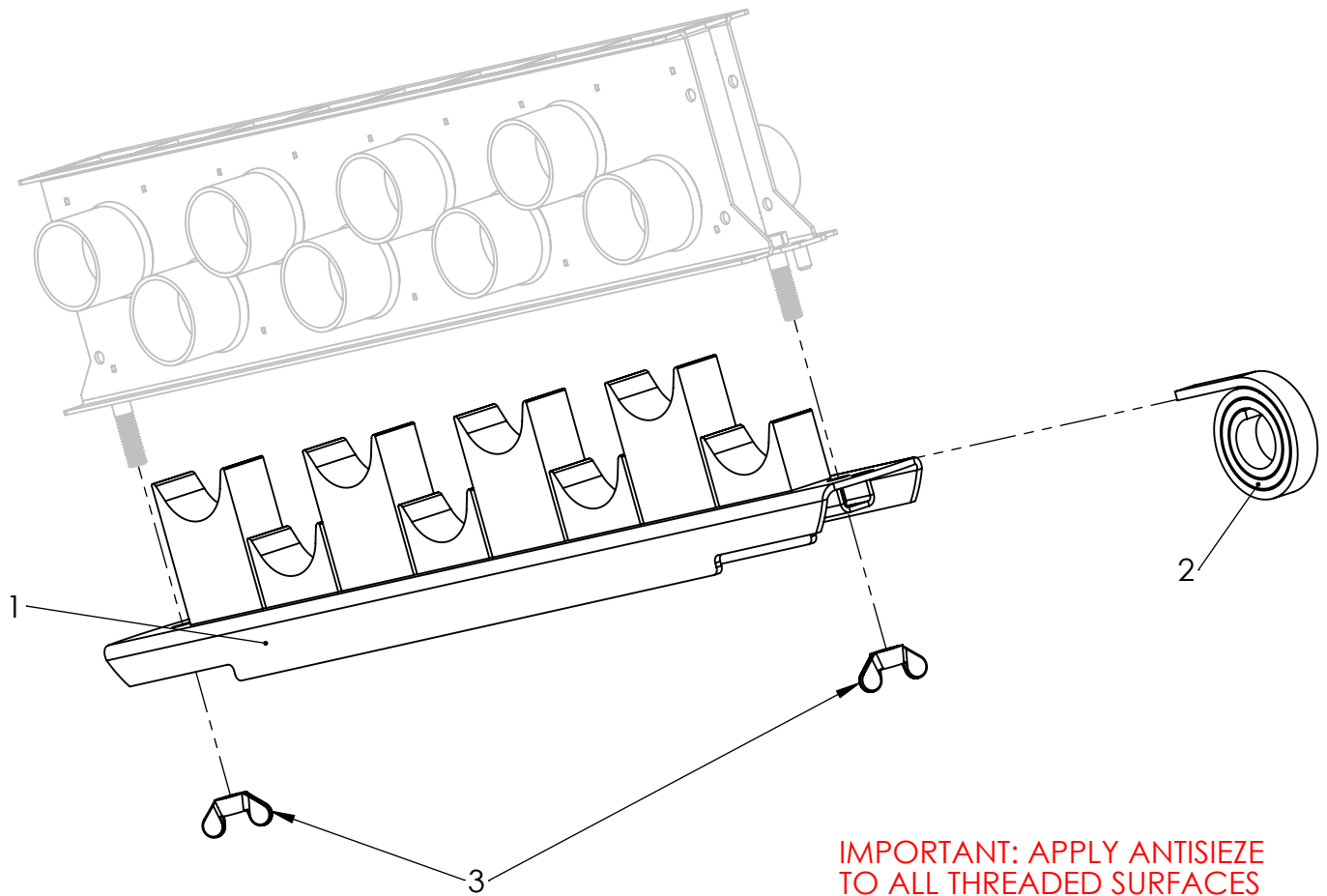
IMPORTANT: APPLY ANTISIEZE TO ALL THREADED SURFACES

ITEM NO.	PART NUMBER	DESCRIPTION	QTY.
1	9-0001-1W	Morris 7000 Series SS 8 Run Meter Box	1
2	9-0225-0	MORRIS 7000 Metering Shaft [N19687]	1
3		Seal [N21659]	2
4		Spacer - Meter Body [N21602]	4
5		Bearing Assembly [JELFD204-012W3]	2
6	SIBH-037-150-1-2-3	3/8"X 1-1/2" Hex Bolt NC SS	4
7	SILW-037-M-3	3/8" Lock Washer Medium SS G18-8	4
8		MORRIS #10 Metering Wheel - [N42130]	
9		MORRIS #9 Metering Wheel - [N42129]	
10		MORRIS #8 Metering Wheel - [N42128]	
11		MORRIS #7 Metering Wheel - [N42127]	
12	9-0004-0	1/4" Insert 7000 Series	As Req.
13	SISP-018-038-1	3/16" X 3/8" Spring Pin SS G420	As Req.
14	SIWI-031-087-M-3	5/16" Flat Washer SS G18-8	18
15	SINN-031-1-3	5/16" Nylon Lock Nut NC SS	15
16	9-0170-0	Calibrator #10 Wheel 2 1/2", Morris #N27090	As Req.
17	9-0169-0	Calibrator #9 Wheel, 2 1/4", Morris #N27089	As Req.
18	9-0172-0	Calibrator #8 Wheel 2", Morris # N27088	As Req.
19	9-0173-0	Calibrator #7 Wheel 1 3/4", Morris # N27087	As Req.
20	9-0012-0	Cover - Blank Off Morris N27605	As Req.
21	WS-025-100	1/4" x 1" weather stripping	1
22	SIBH-031-100-1-2-3	5/16"X 1" Hex Bolt NC SS G18-8	3
23	SIBC-031-075-1-1-3	5/16" X 3/4" SS Carriage Bolt NC	4



IMPORTANT: APPLY ANTISIEZE TO ALL THREADED SURFACES

ITEM NO.	PART NUMBER	DESCRIPTION	QTY.
1	9-0002-0W	Collector Box (7000 Series / 6000 Series 8 Run)	1
2	WS-025-075	1/4" x 3/4" weather stripping	1
3	SIBH-031-075-1-2-3	5/16"X 3/4" Hex Bolt NC SS G18-8	8
4	SINN-031-1-3	5/16" Nylon Lock Nut NC SS	8



IMPORTANT: APPLY ANTISIEZE TO ALL THREADED SURFACES

ITEM NO.	PART NUMBER	DESCRIPTION	QTY.
1	9-0044-0A	Bottom Cover Assembly	1
2	WS-025-075	1/4" x 3/4" weather stripping	1
3	SINW-050-1-2-3	1/2" SS Wing Nut	2