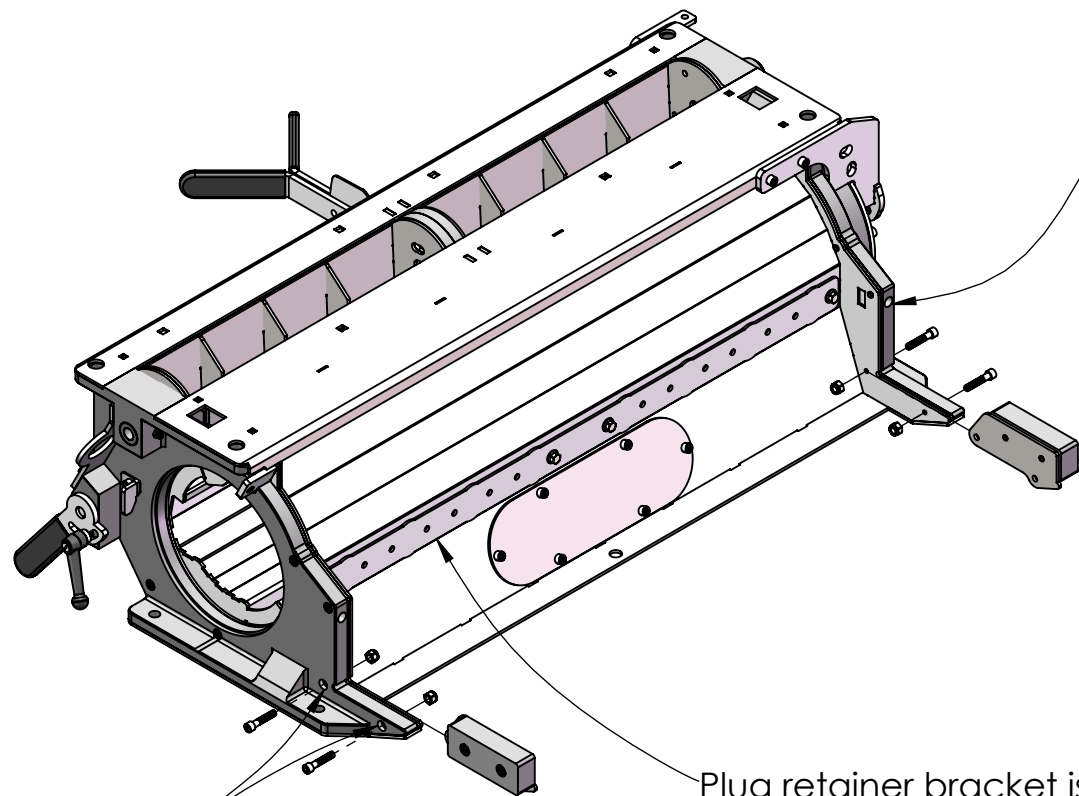




Installation Notes for JAS0006A Meter Housing for OEM Section Control



The valve bolts directly to the Romafa meter housing with M10 x 120 bolts.

Section Command Valve Support Blocks

- On earlier 1910 model carts (SN 750101 - 759999) the valve support blocks are needed.
- Later 1910 models (SN 760101 and up), C650 & C850 carts do not use the valve support blocks.

To install support block, remove the two socket head bolts and attach the hydraulic support block using the two bolts and nuts provided.

Plug retainer bracket is needed if you have round plugs without fastening lobes
If plugs have fastening lobes, use the M6 x 20 flange bolts to fasten the plugs. Bracket is not required for those plugs.

The JD retainer bar is not needed when using the Romafa meter housing.

